

Figure 6.3. PCB 3 AND PCB 8, Sheet 4 of 5, Floating I/O & Clock. Circuit Diagram 70617503, Issue H.





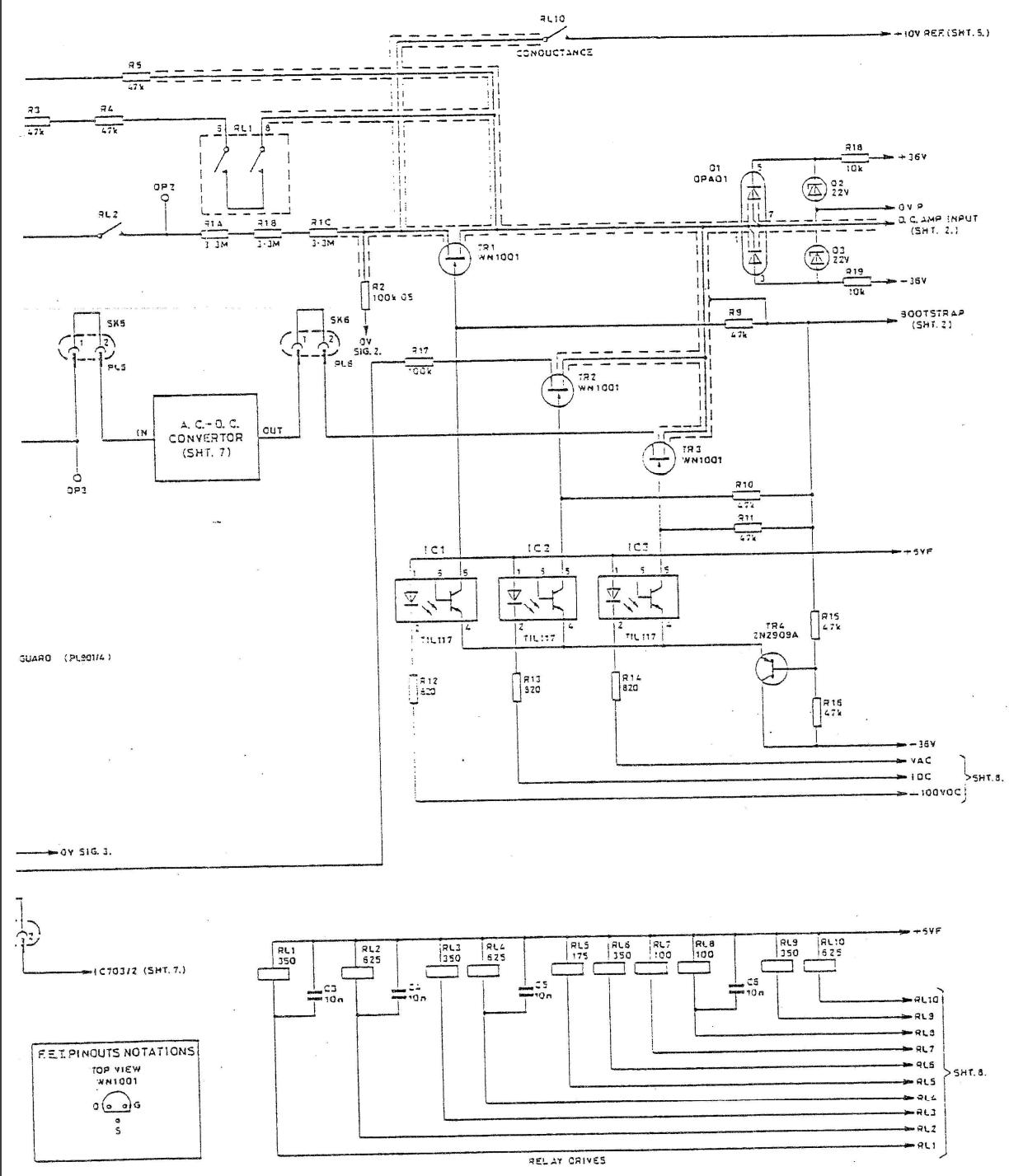
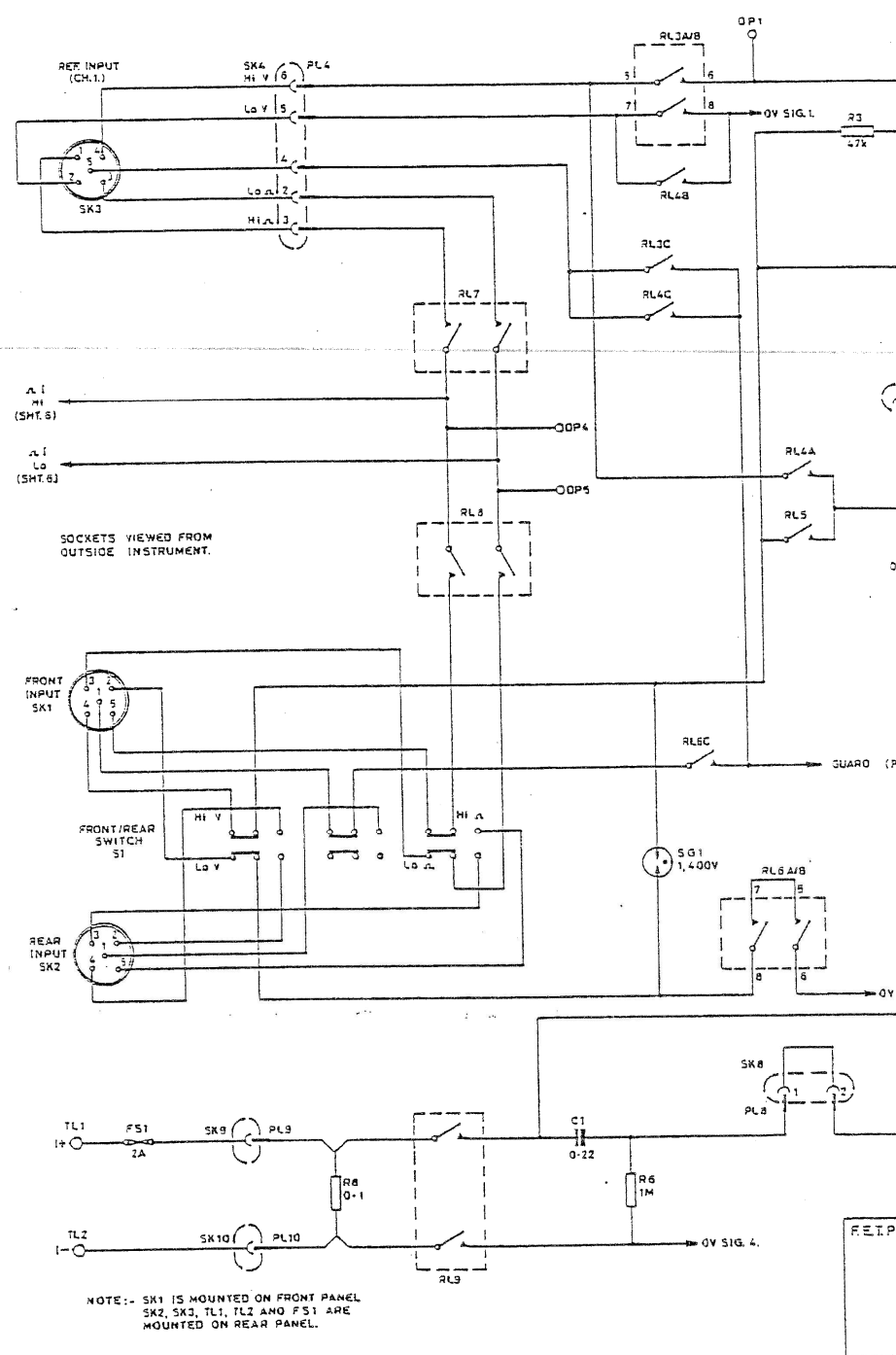


Figure 6.5. PCB 5, Sheet 1 of 9, Input Switching, DC Volts Atten. & Current. Circuit Diagram 70617505, Issue P.

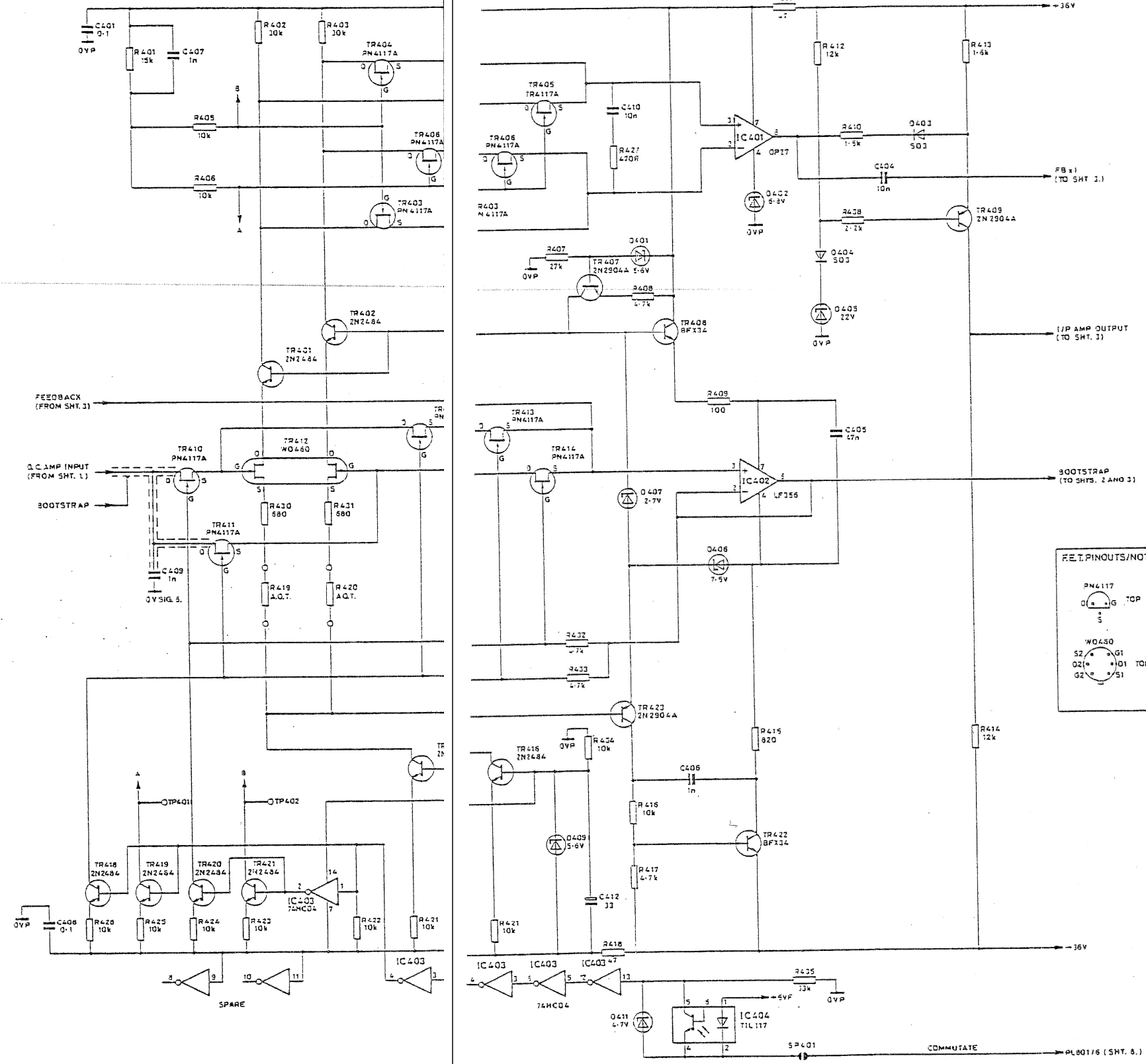


Figure 6.5. PCB 5, Sheet 2 of 9, DC Input Amplifier. Circuit Diagram 70617505, Issue J.

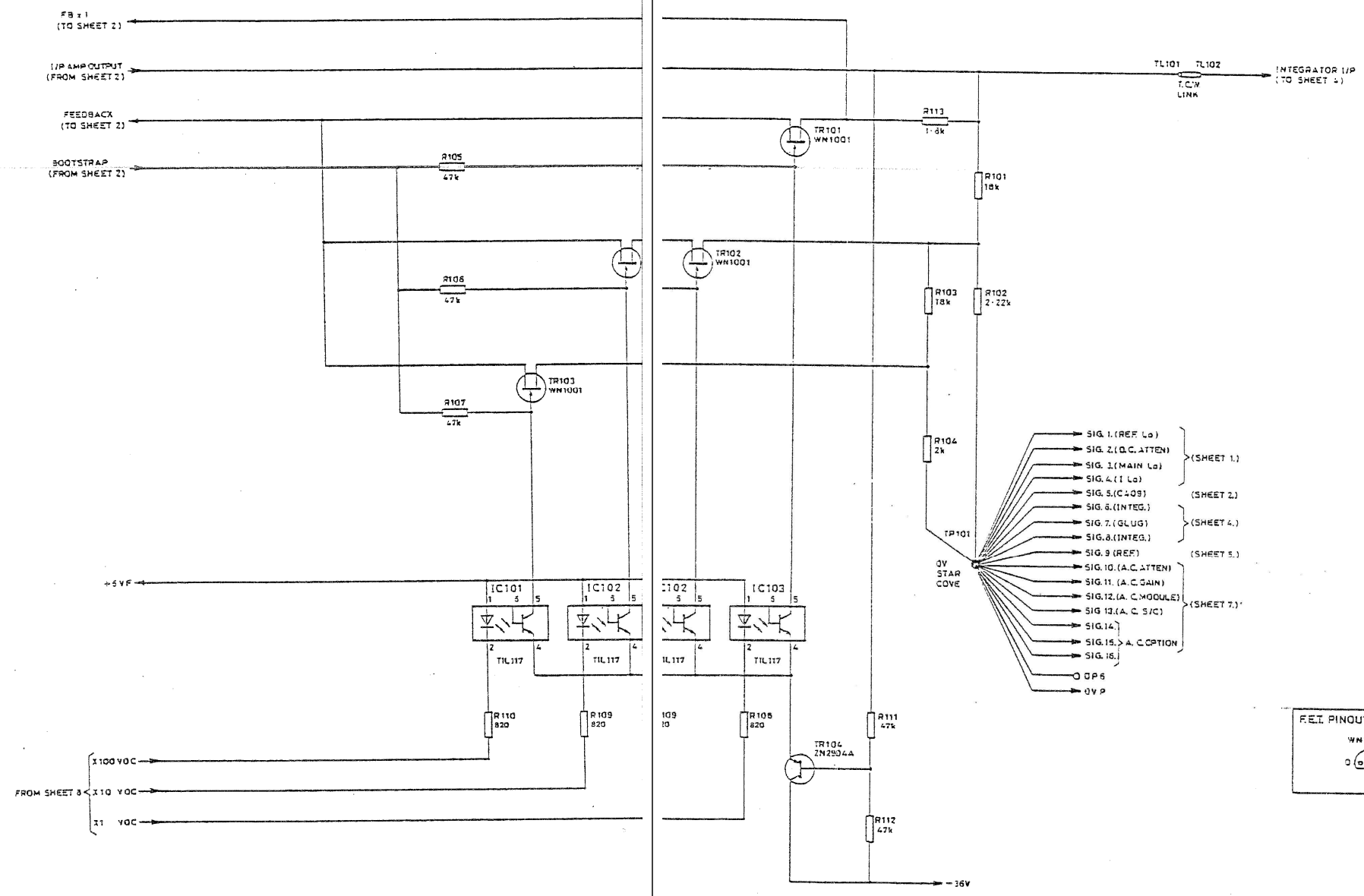
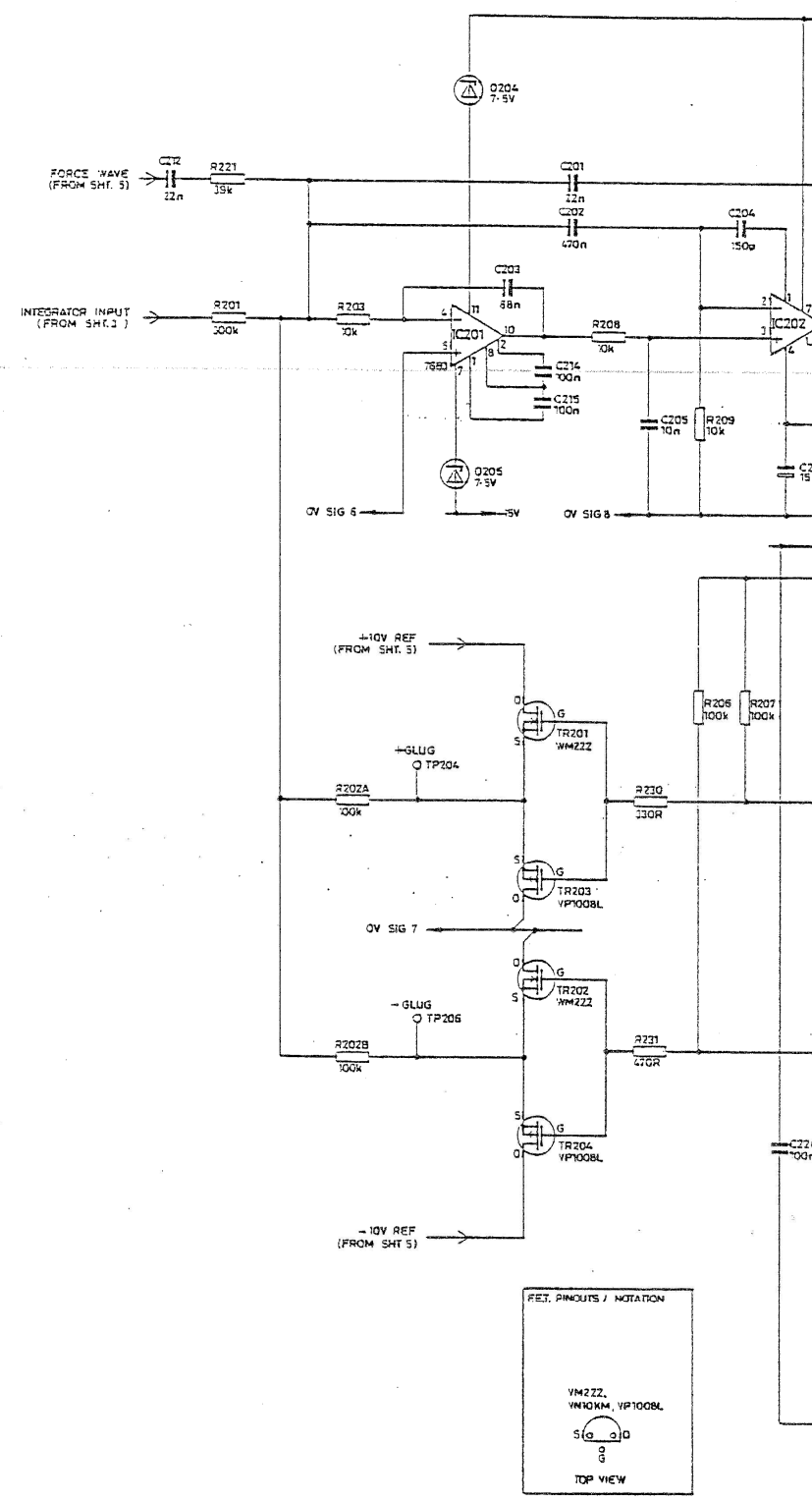


Figure 6.5. PCB 5, Sheet 3 of 9, DC Ranging.  
Circuit Diagram 70617505, Issue D.



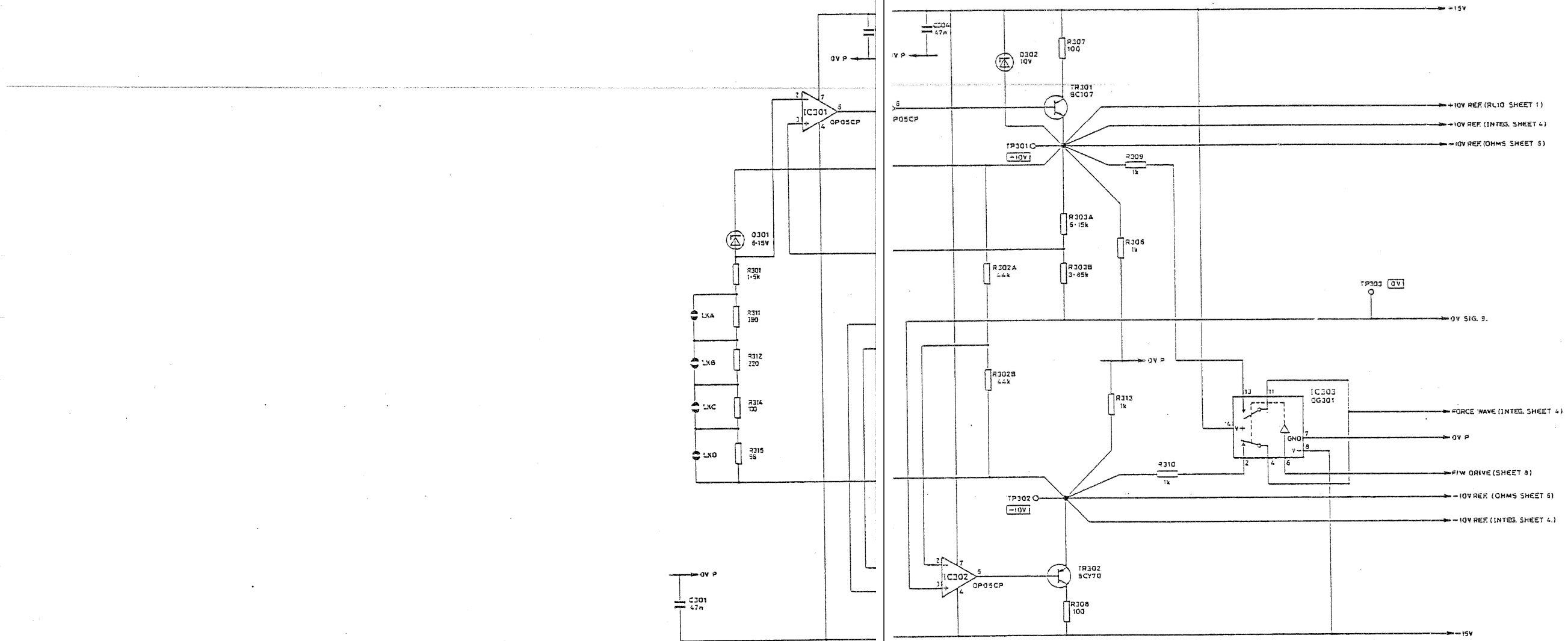


Figure 6.5. PCB 5, Sheet 5 of 9, Reference.  
Circuit Diagram 70617505, Issue G.



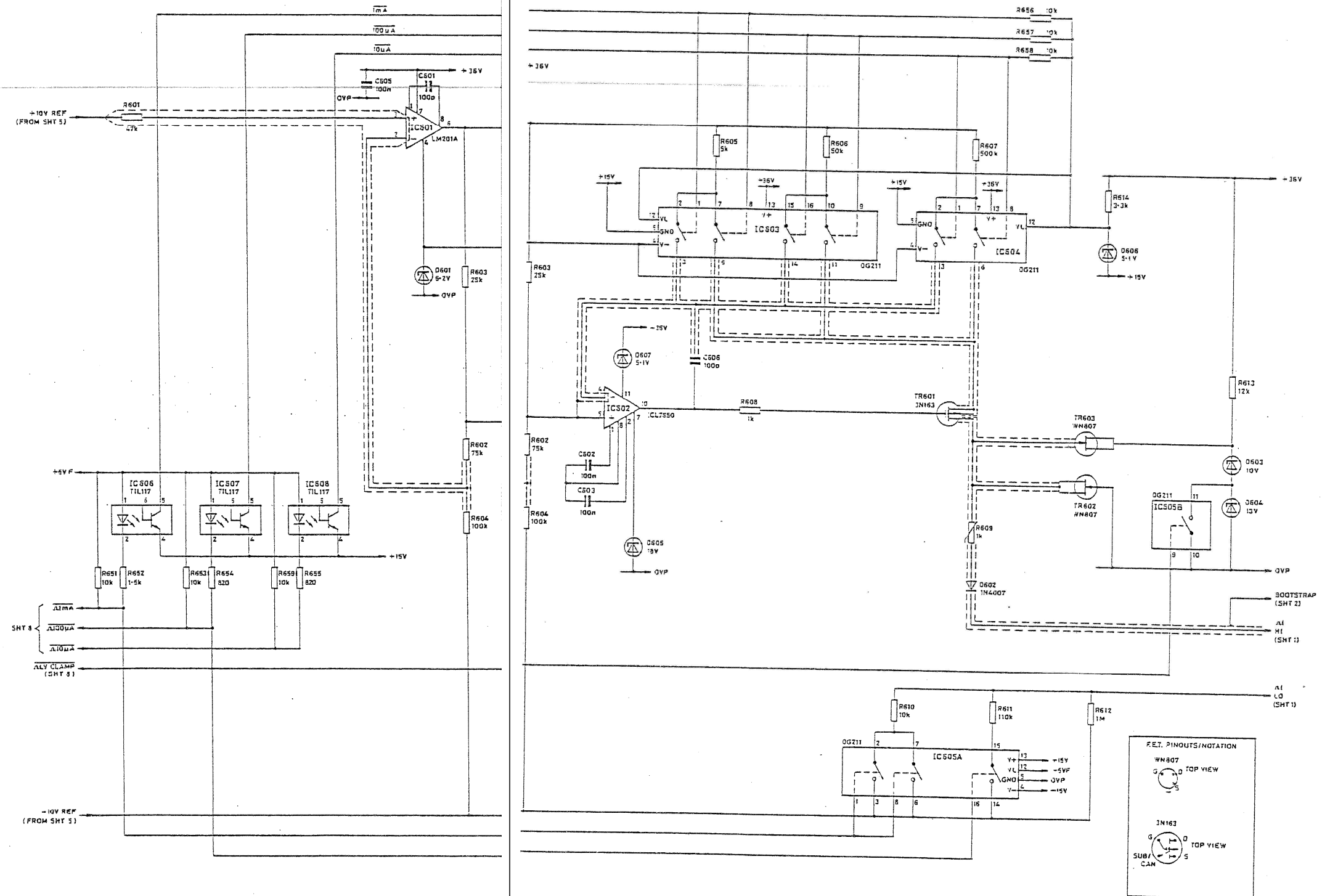


Figure 6.5. PCB 5, Sheet 6 of 9, Ohms Current Source. Circuit Diagram 70617505, Issue F.

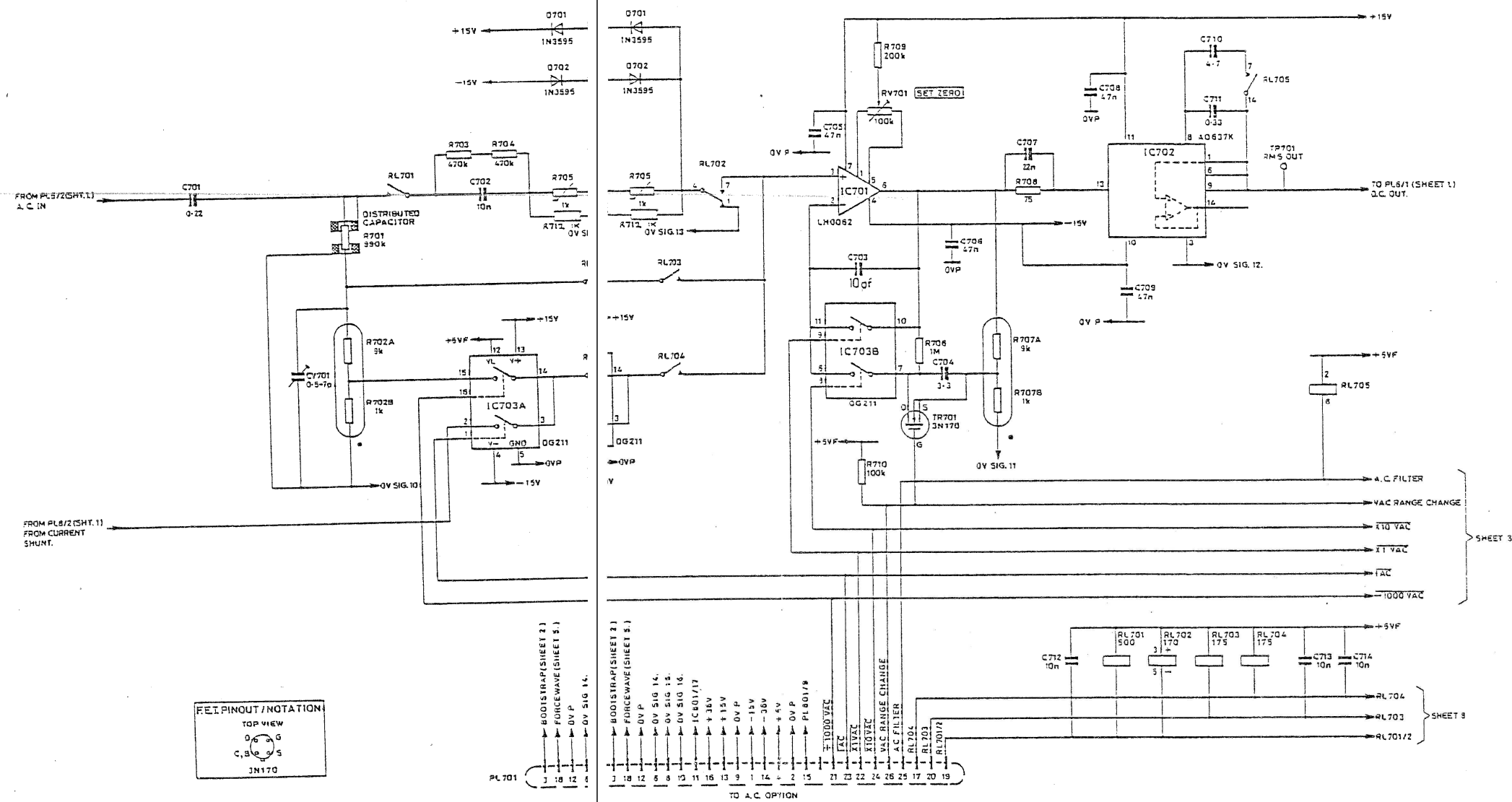


Figure 6.5. PCB 5, Sheet 7 of 9, AC True rms.  
Circuit Diagram 70617505, Issue F.