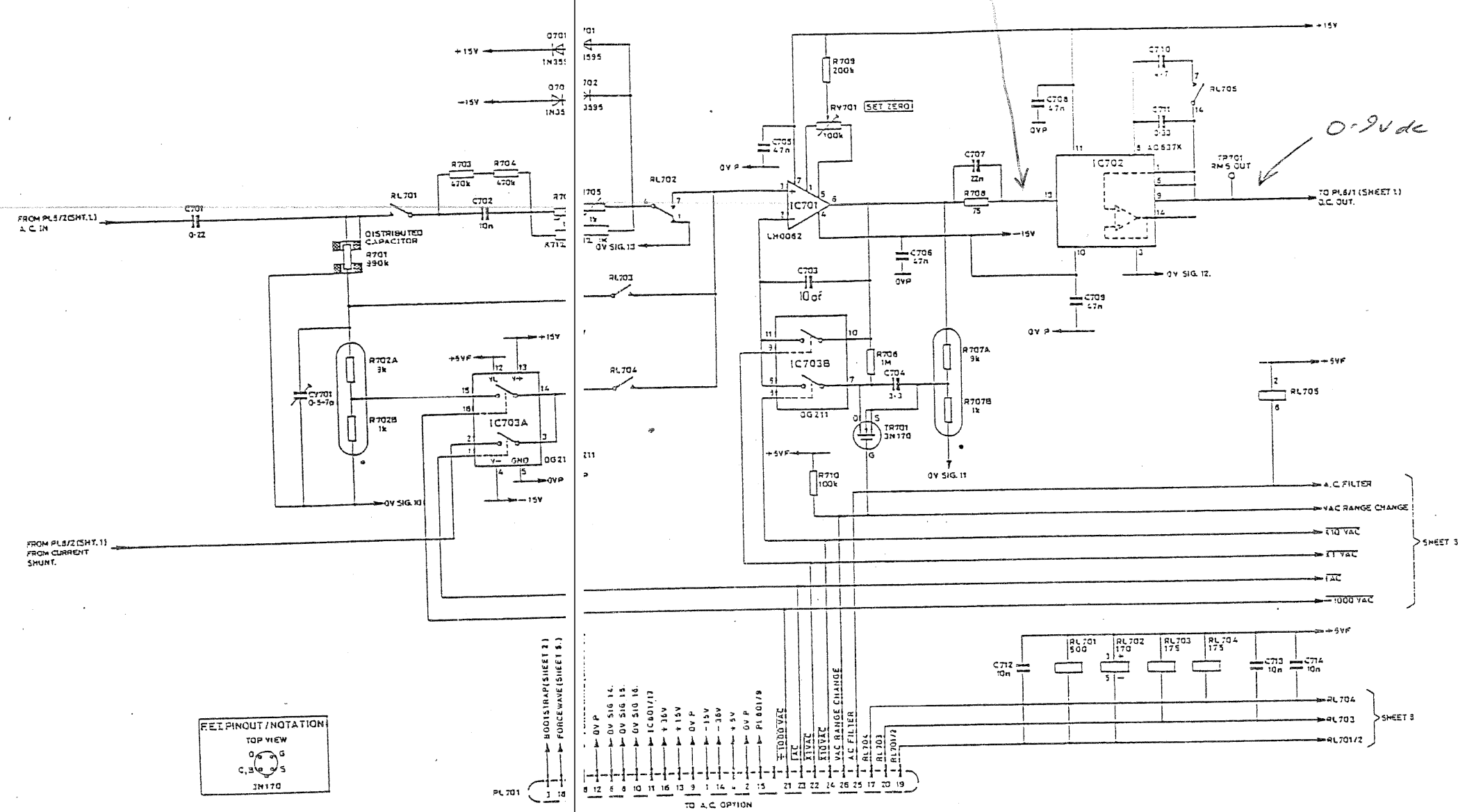


10AC YP  
1 KHZ

2.75V



FEI PINOUT/NOTATION  
TOP VIEW  
O G  
C, S, P, S  
IN170

Figure 6.5. PCB 5, Sheet 7 of 9, AC True rms. Circuit Diagram 70617505, Issue F.



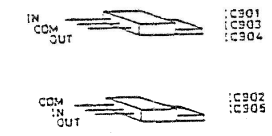
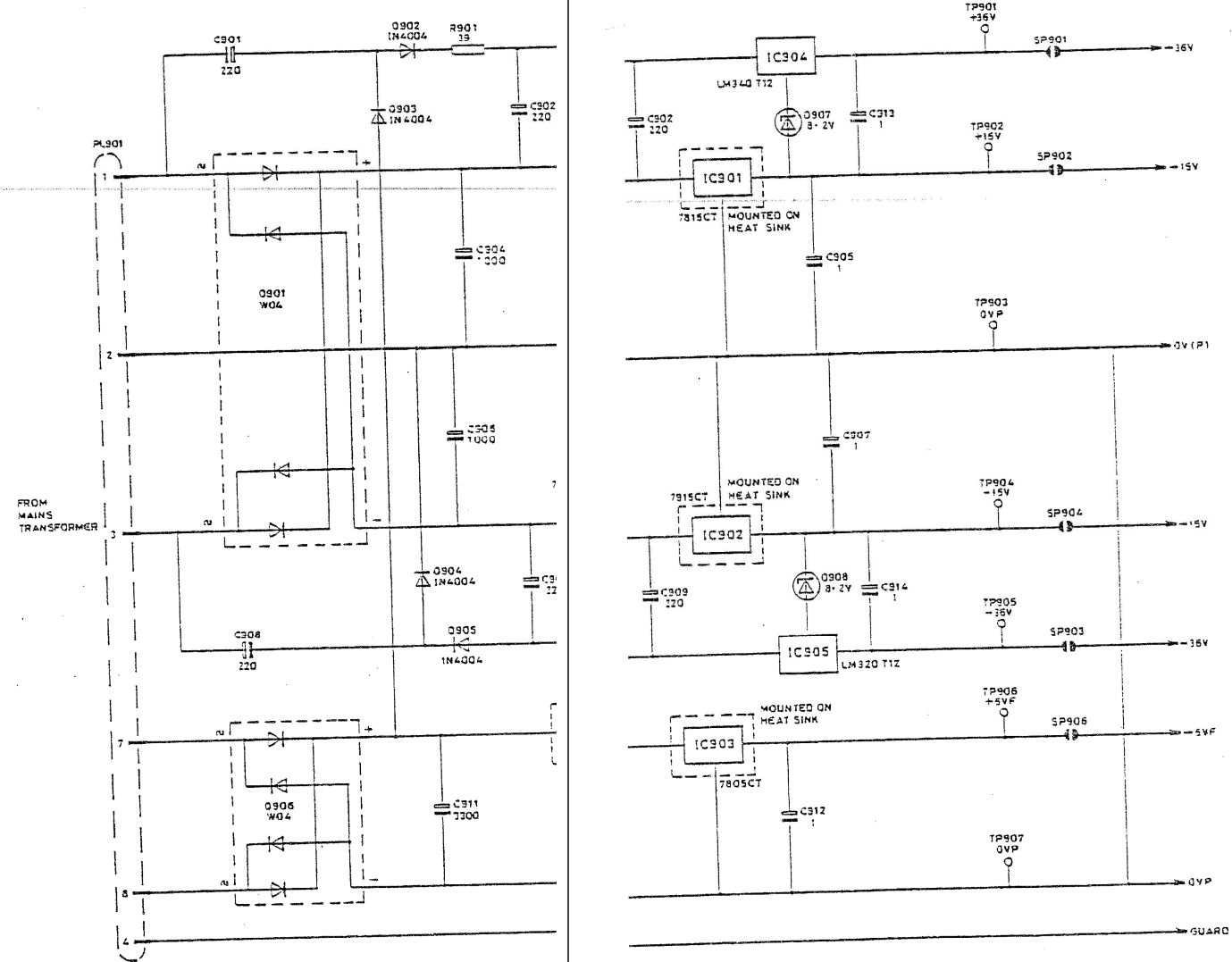
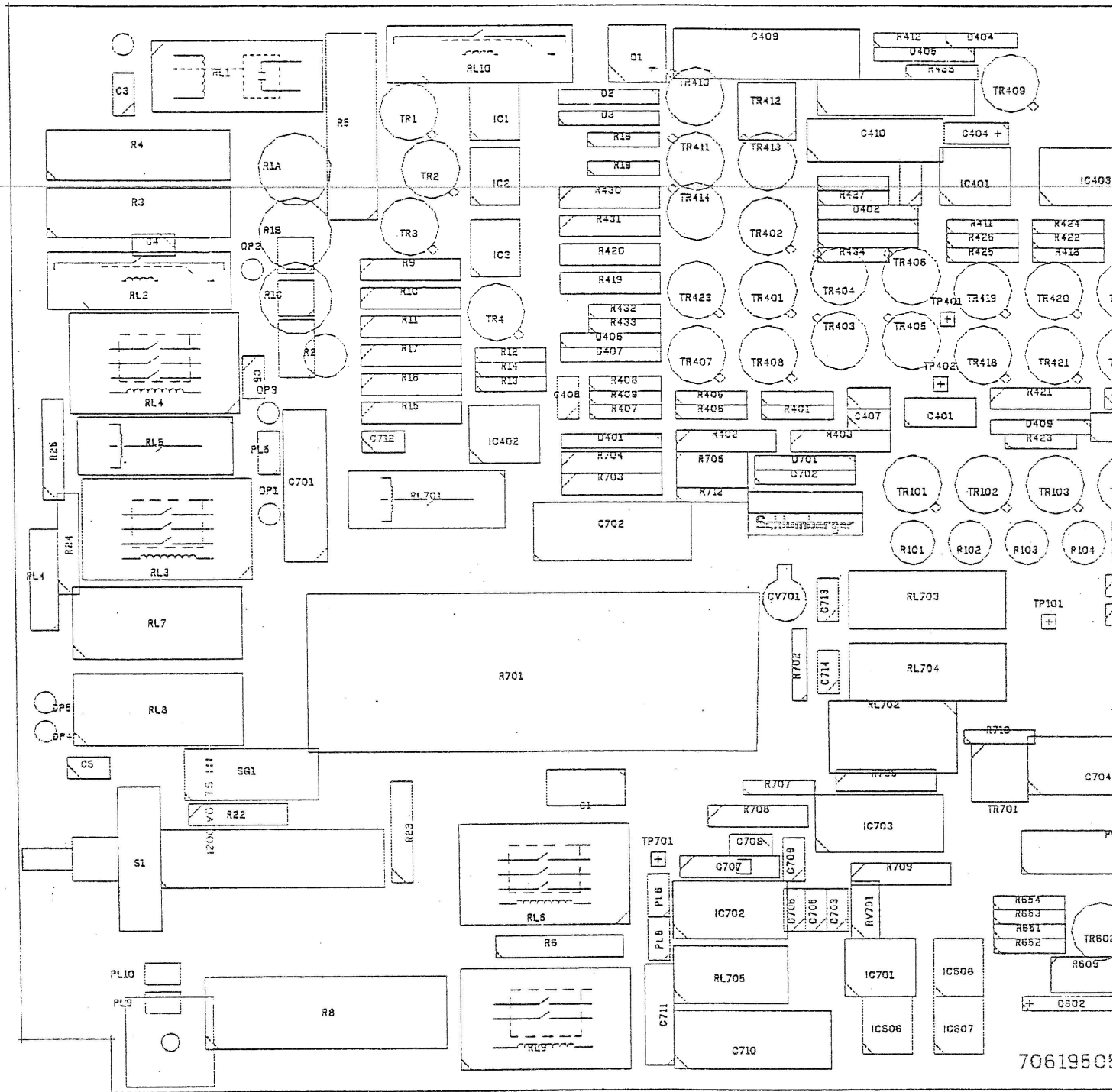
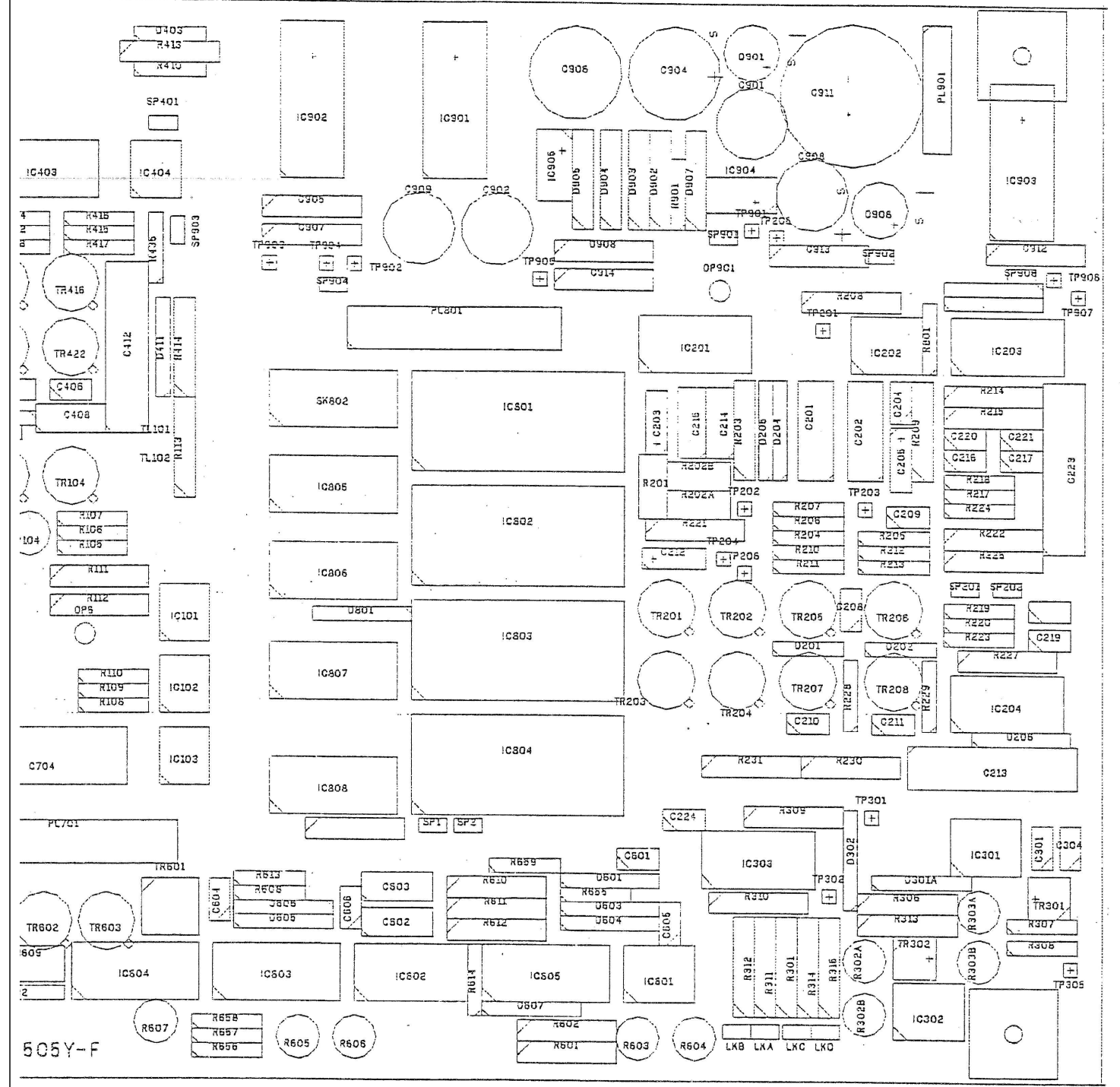


Figure 6.5. PCB 5, Sheet 9 of 9, Floating Power Supply. Circuit Diagram 70617505, Issue E.

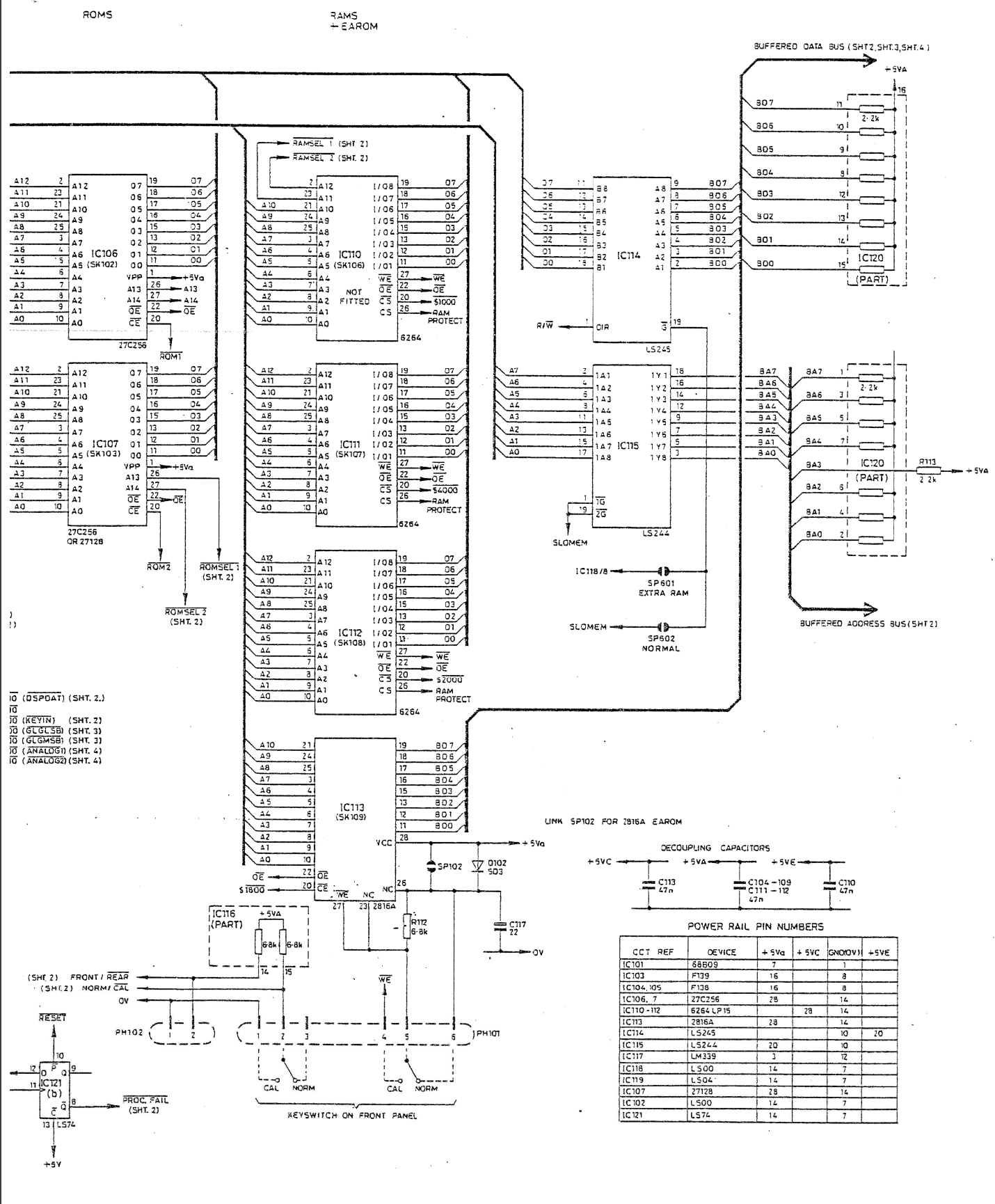
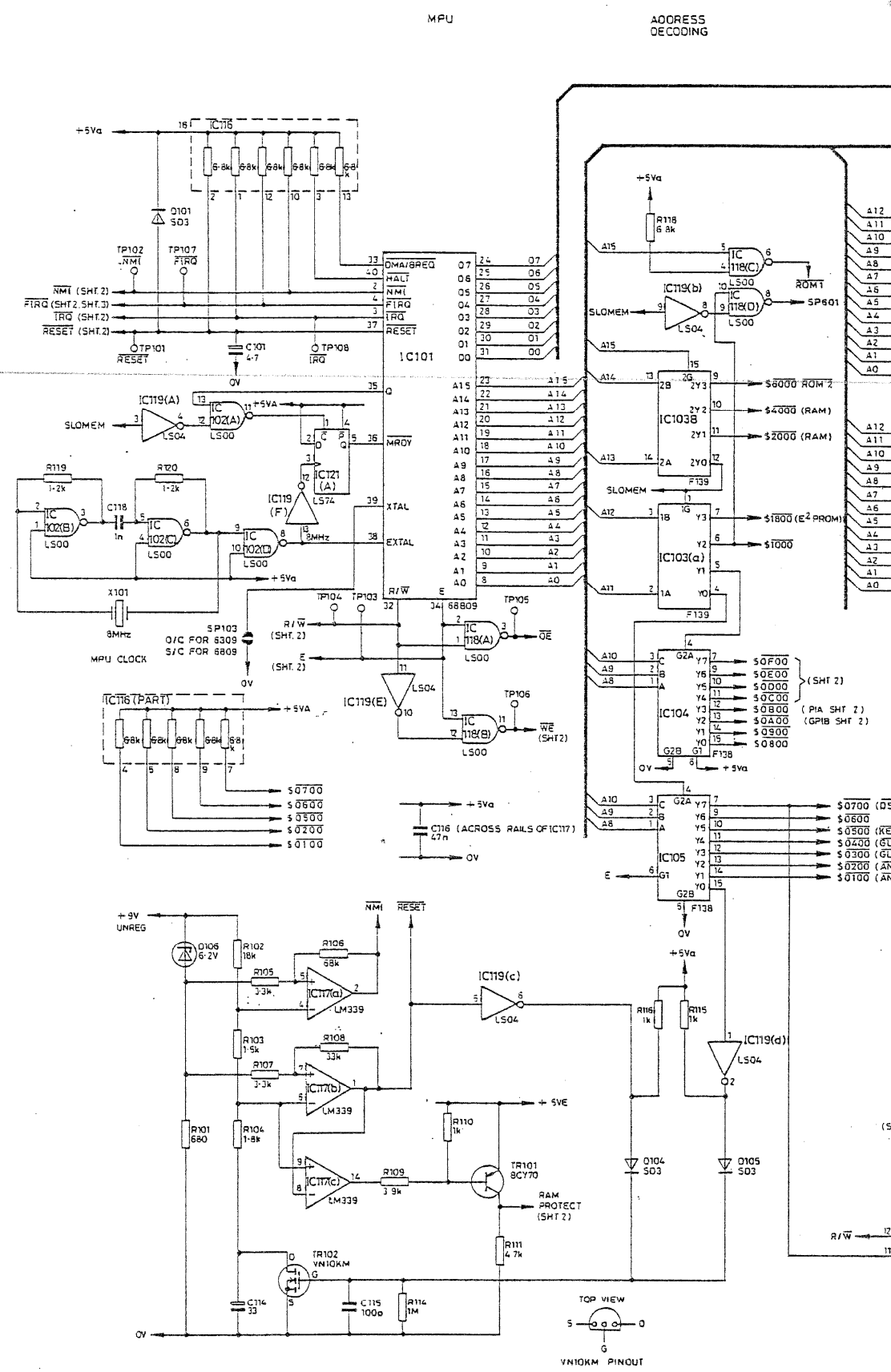


7061950



505Y-F

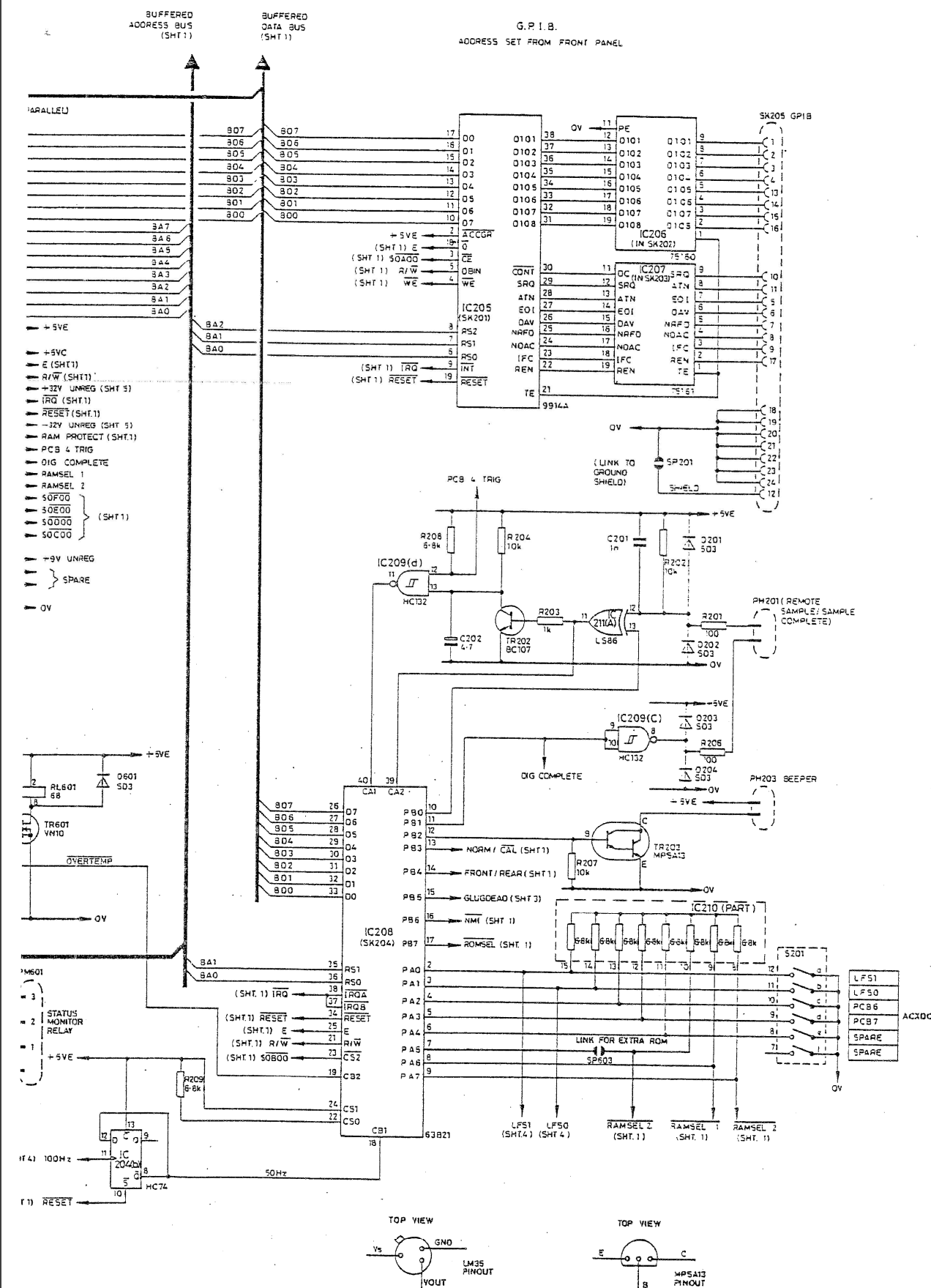
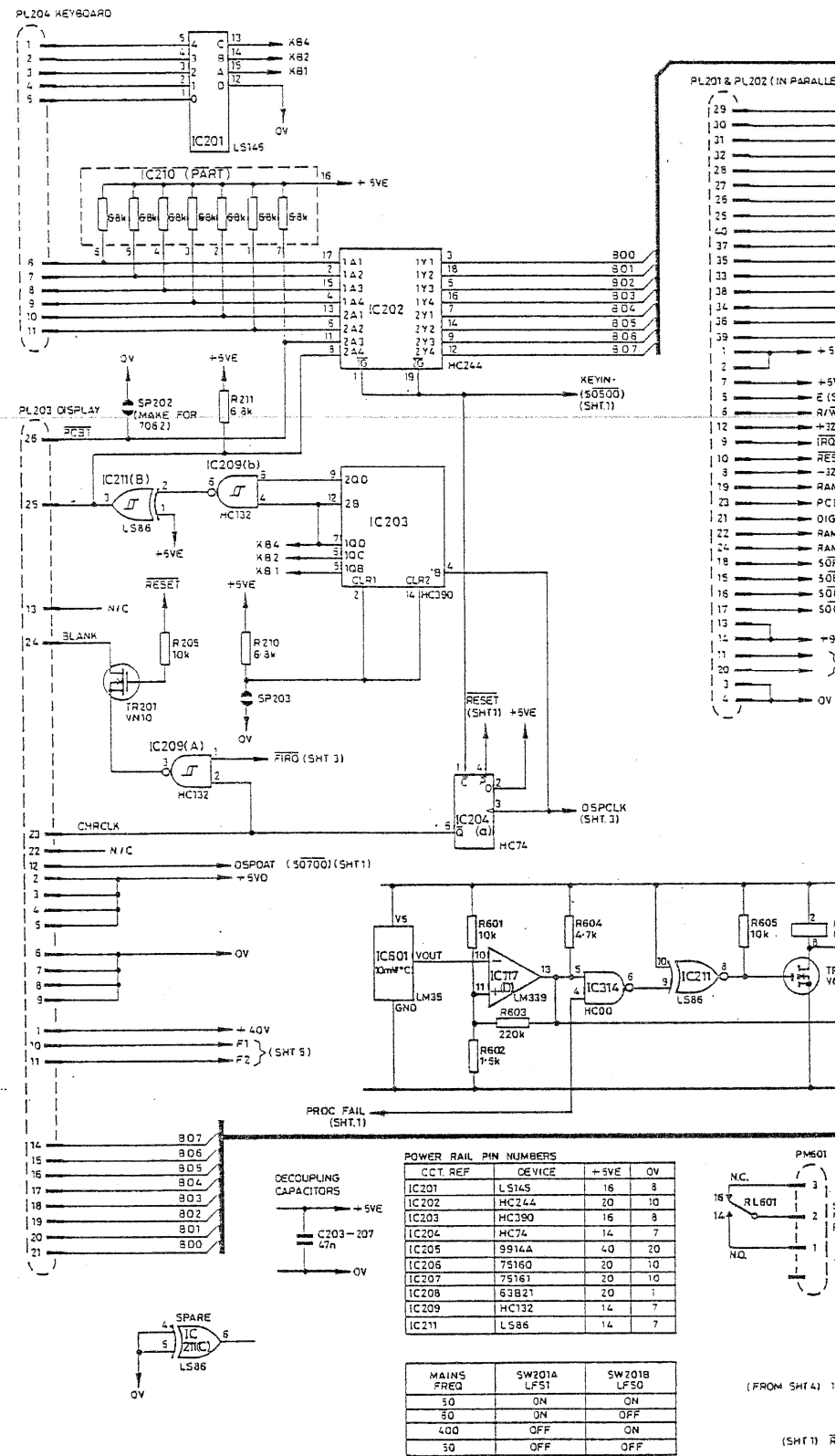
Figure 6.6. PCB 5 Component Layout.  
70610505, Issue F.

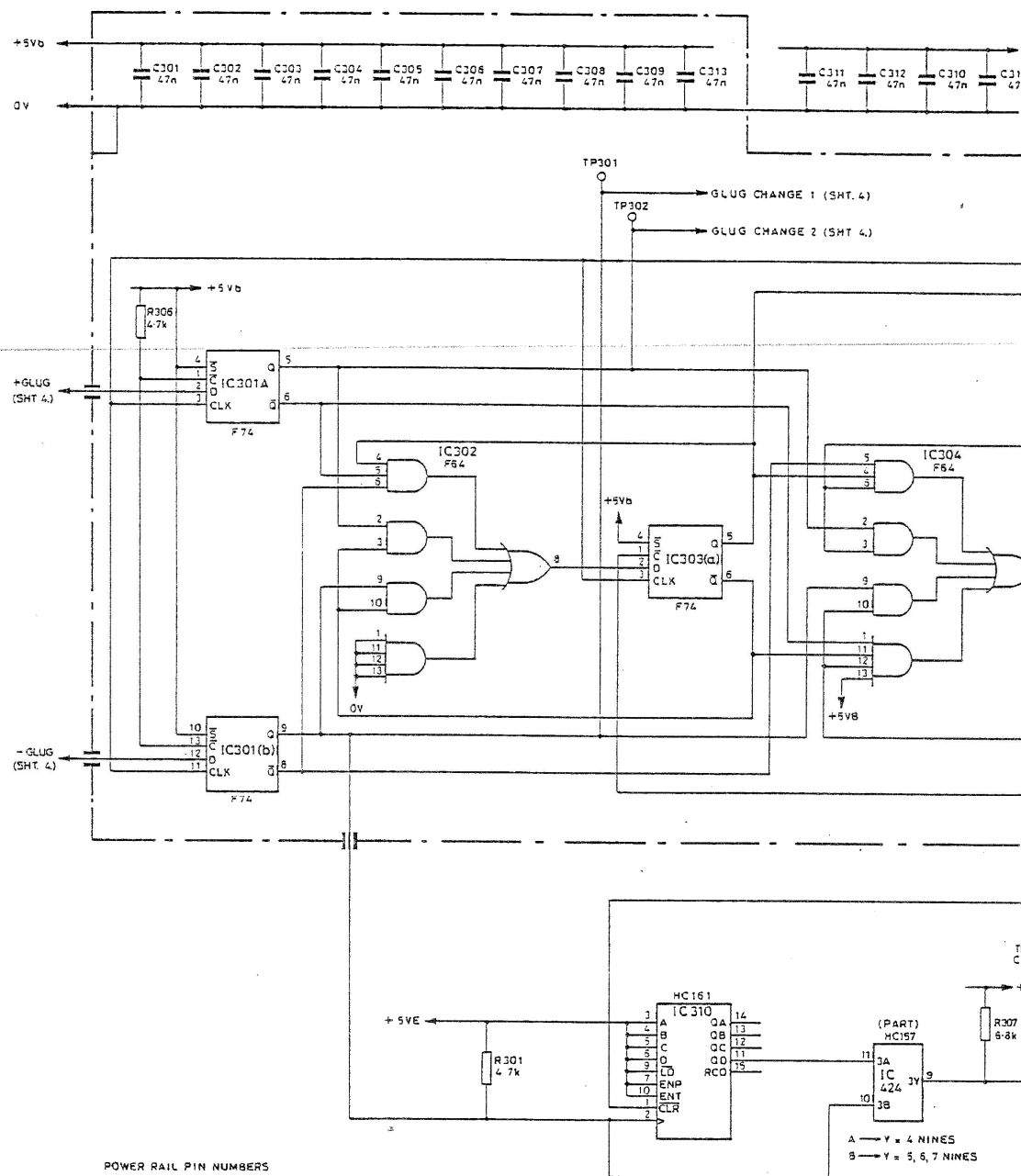


DECOUPLING CAPACITORS

CCT REF	DEVICE	+5Va	+5Vc	GND(OV)	+5Ve
IC101	68B09	7	1		
IC103	F139	16	8		
IC104, 105	F138	16	8		
IC106, 7	27C256	28	14		
IC110-112	6264 LP15	28	14		
IC113	2816A	28	14		
IC114	LS245		10	20	
IC115	LS244	20	10		
IC117	LM339	3	12		
IC118	LS00	14	7		
IC119	LS04	14	7		
IC107	27128	28	14		
IC102	LS00	14	7		
IC121	LS74	14	7		

Figure 6.7. PCB 13, Sheet 1 of 5, MPU and Memory. Circuit Diagram 70617513, Issue B.





POWER RAIL PIN NUMBERS

CCT REF.	DEVICE	+5Vb	GND	+5VE
IC 301	F74	14	7	
IC 302	F64	14	7	
IC 303	F74	14	7	
IC 304	F64	14	7	
IC 305	F161	16	8	
IC 306	LS161	16	8	
IC 307	LS393	14	7	
IC 308	LS374	20	10	
IC 309	LS374	20	10	
IC 310	HC161		8	16
IC 312	HC74		7	14
IC 313	F164		7	14
IC 314	HC00		7	14
IC 315	HC174		8	16

+5VE  
 DECOUPLING CAPACITORS  
 (TO BE PLACED DIRECTLY ACROSS  
 THE RAIL PINS OF THE IC'S  
 OF THE CORRESPONDING NUMBERS)

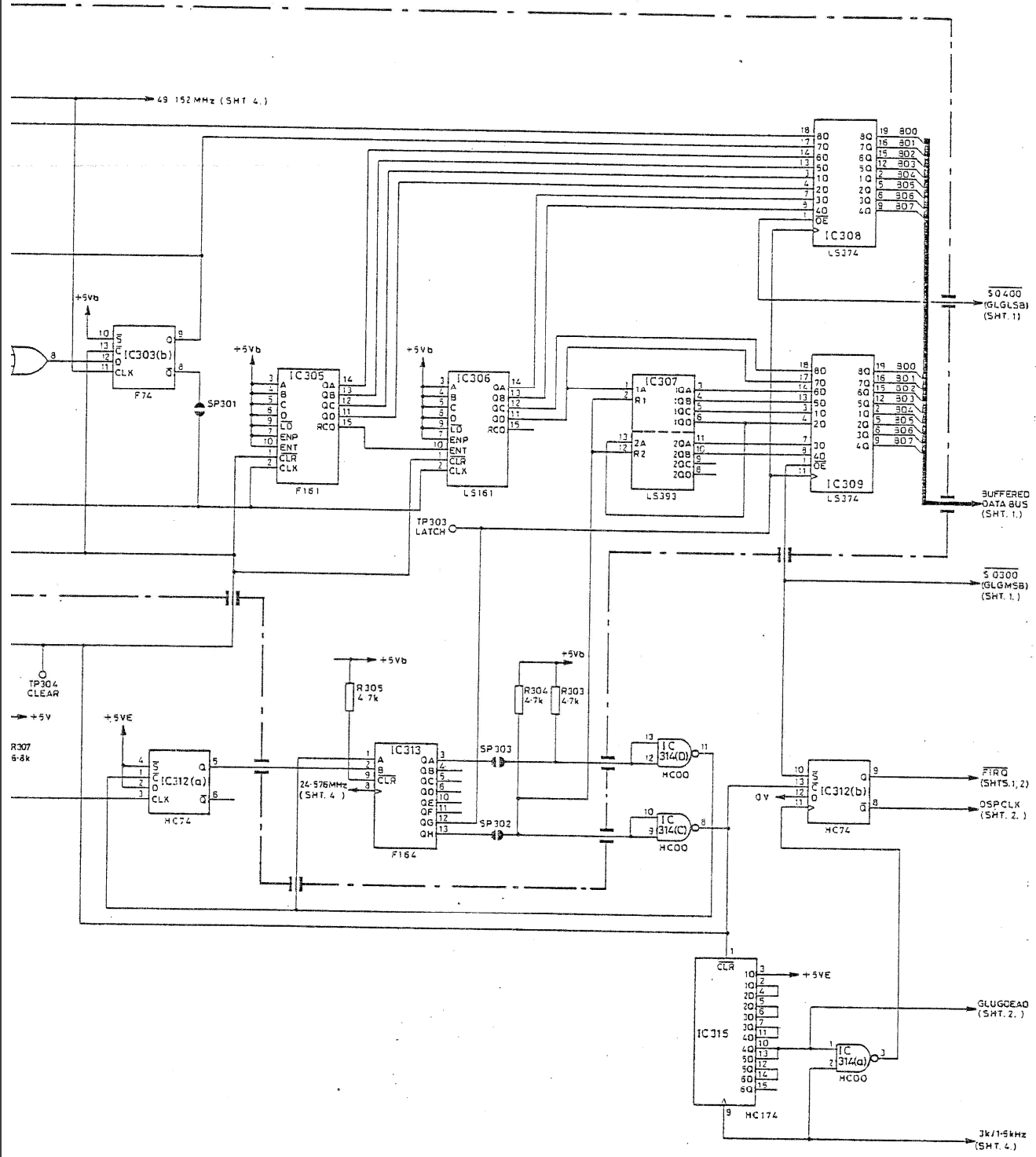
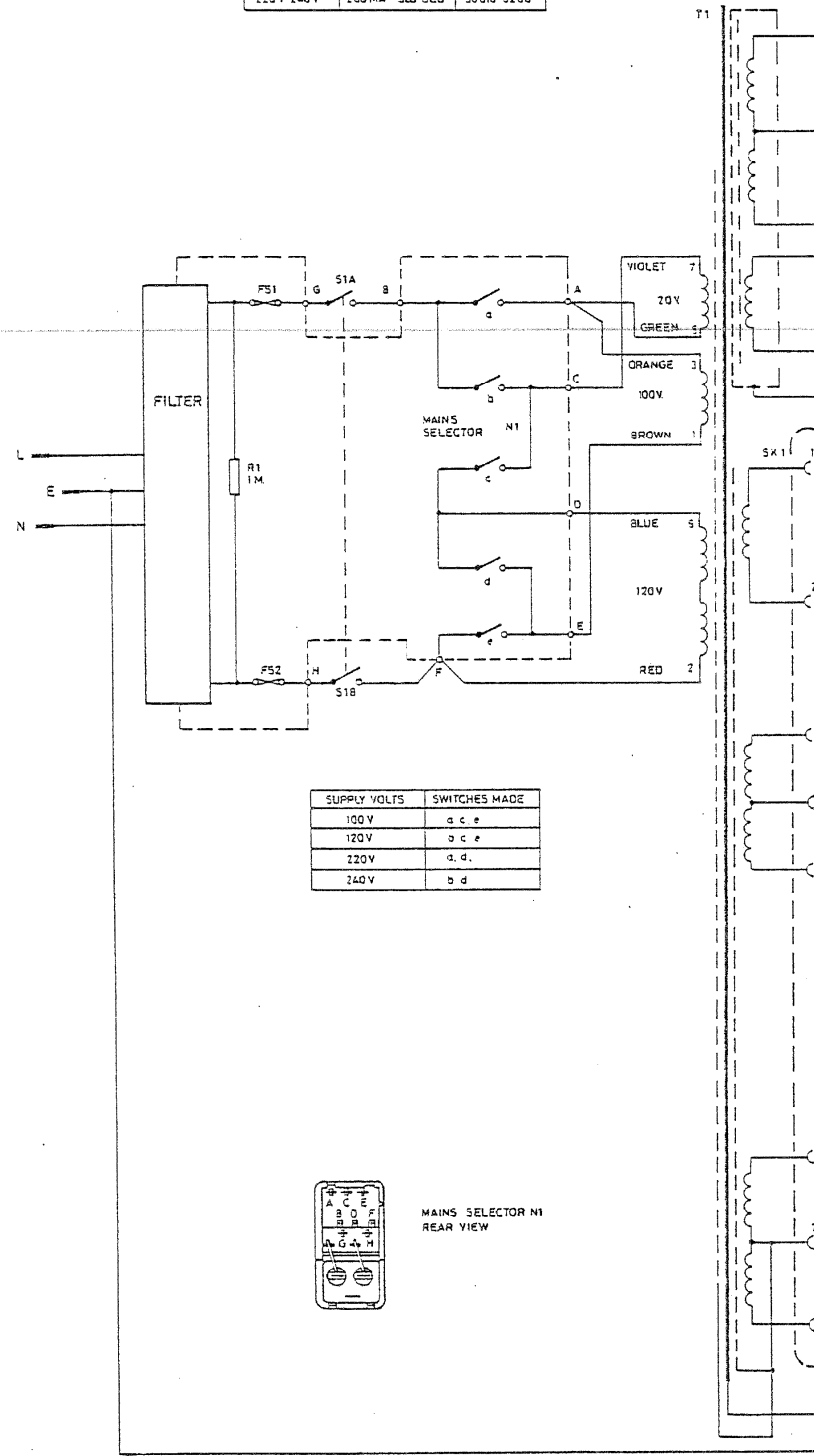


Figure 6.7. PCB 13, Sheet 3 of 5, Glug Counters & Latches.  
 Circuit Diagram 70617513, Issue A.





SUPPLY VOLTS	FUSE	PART No.
100 V 120 V	400 MA SLO BLO	36010 8500
220 V 240 V	200 MA SLO BLO	36010 8280



SUPPLY VOLTS	SWITCHES MADE
100 V	a c e
120 V	b c e
220 V	a d
240 V	b d

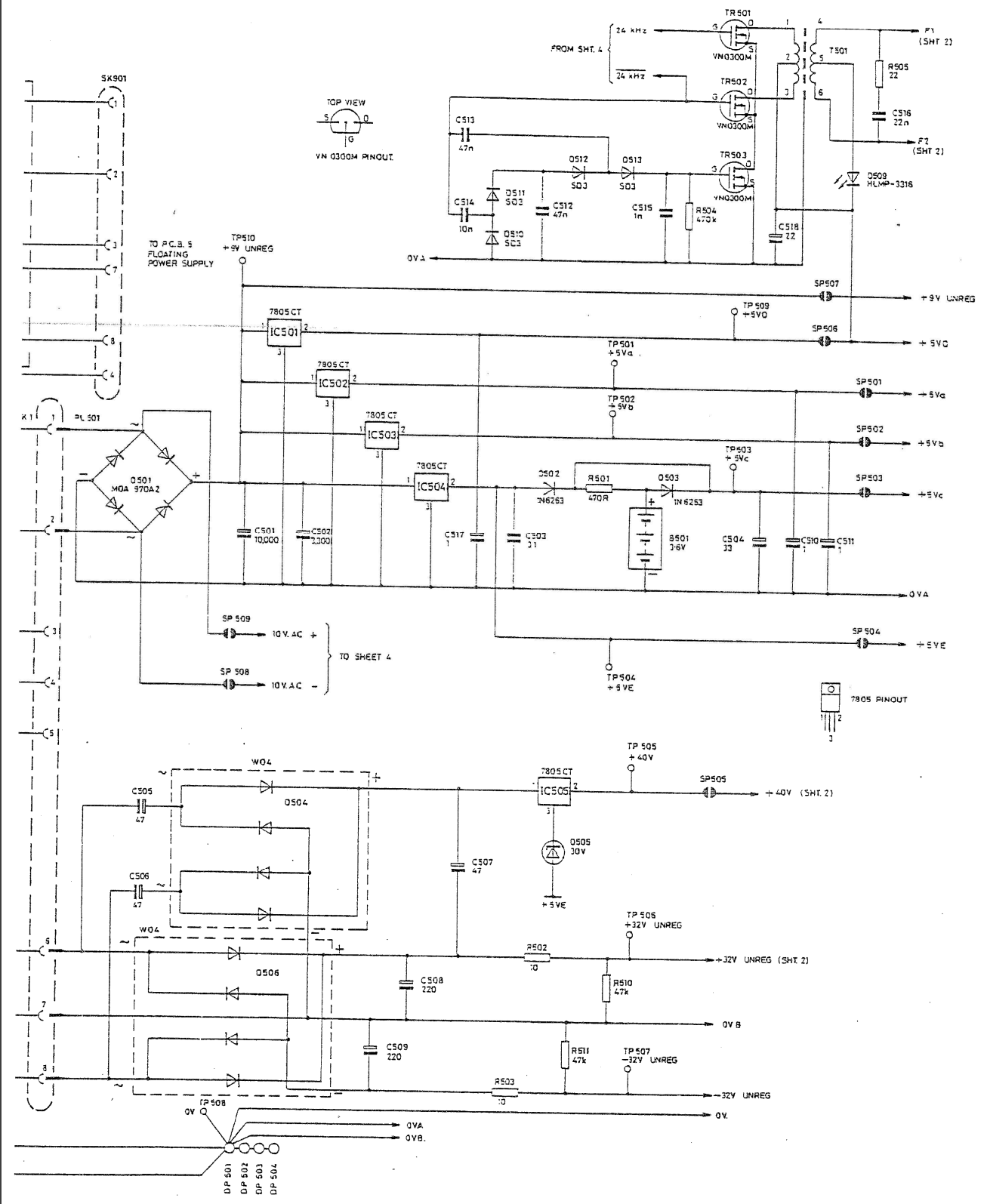
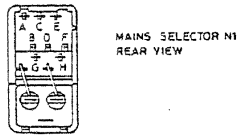


Figure 6.7. PCB 13, Sheet 5 of 5, Power Supply. Circuit Diagram 70617503, Issue A.

