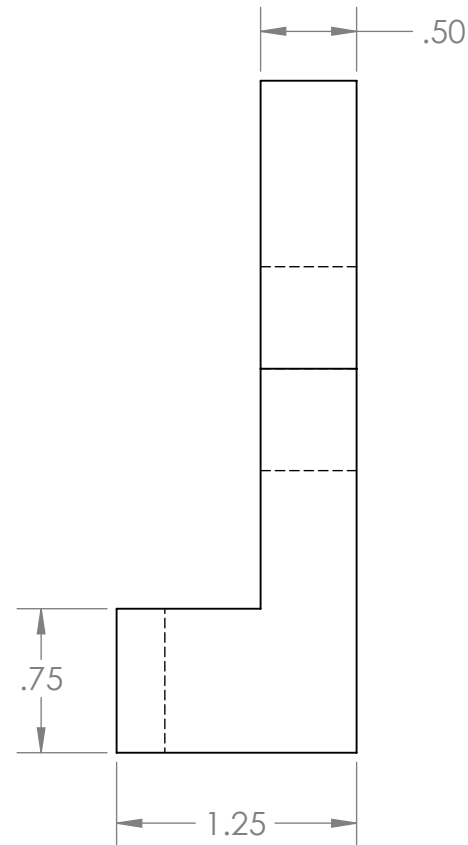
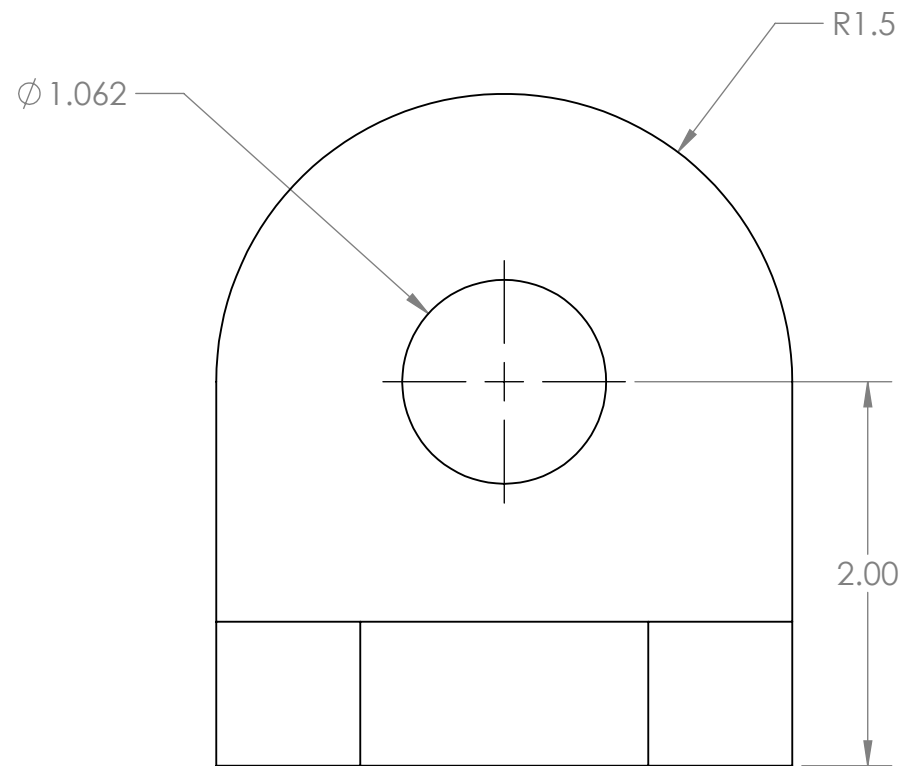
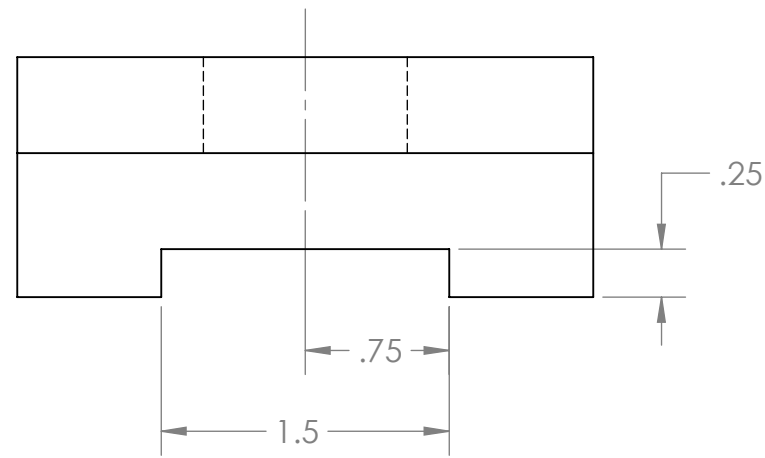
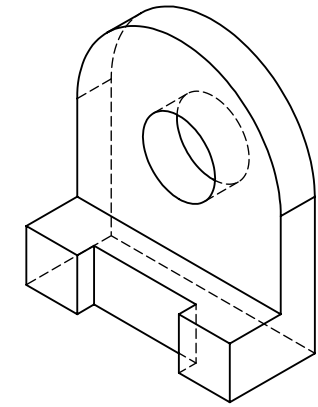
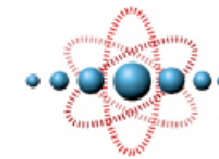


Correctly Dimensioned Drawing

each dimension is given in the contour view



UNLESS OTHERWISE SPECIFIED:
 DIMENSIONS ARE IN INCHES
 TOLERANCES:
 FRACTIONAL $\pm 1/16$
 ANGULAR: MACH $\pm 1^\circ$ BEND $\pm 5^\circ$
 TWO PLACE DECIMAL $\pm .01$
 THREE PLACE DECIMAL $\pm .005$



uw physics
instrument shop

TITLE:

MATERIAL	NAME	DATE	SIZE	File Name	REV
FINISH	DRAWN	sky	B	contour	
DO NOT SCALE DRAWING	CHECKED				SCALE: 1:1